



point designs

Point Thumb - Product Size Exchange Form

Original PO#

Please include this form with the product(s) to be exchanged and send to:

Point Designs
1216 Commerce Ct, Suite 3
Lafayette, CO 80026

Clinic

Clinic Name

Clinician's Name

Email

Phone

Shipping

Street Address / P.O. Box

City, State

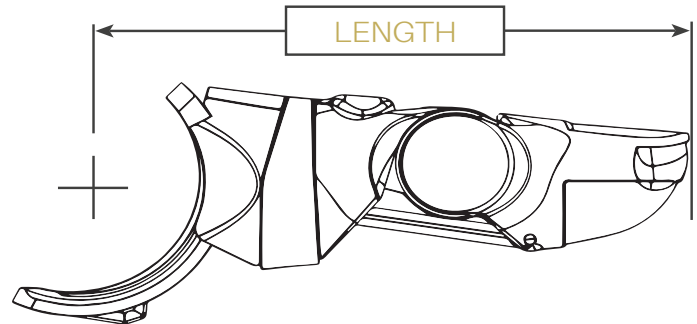
ZIP code

Product Exchange Table

	Product Name	Length included to be exchanged	New Length (see table for standard sizes)
Item #1			
Item #2			
Item #3			
Item #4			

Sizing Table

Size	Length	Part Number
Small	59 mm	PNTTHB-059-G
Medium	66 mm	PNTTHB-066-G
Large	73 mm	PNTTHB-073-G



59 mm	66 mm	73 mm
-------	-------	-------

Original product must be in like-new condition. Condition of digits will be assessed upon return, and additional costs may be charged for damaged/used products.