

# Point Endo - Product Size Exchange Form

Original PO#

Please include this form with the product(s) to be exchanged and send to:

**Point Designs LLC.**  
**1216 Commerce Ct Suite 3**  
**Louisville, CO 80026**

## Clinic

Clinic Name

Clinician's Name

Email

Phone

## Shipping

Street Address / P.O. Box

City, State

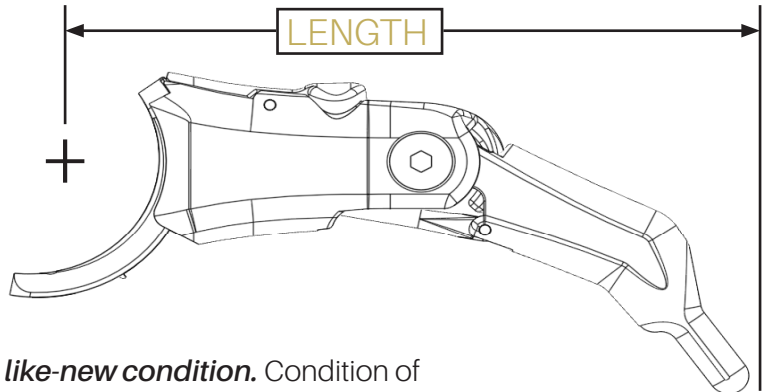
ZIP code

## Product Exchange Table

|         | Product Name | Length included to be exchanged | New Length (see table for standard sizes) |
|---------|--------------|---------------------------------|---|
| Item #1 |              |                                 |   |
| Item #2 |              |                                 |   |
| Item #3 |              |                                 |   |
| Item #4 |              |                                 |   |

## Sizing Table

| Length | Part Number   |
|--------|---------------|
| 80 mm  | PNTENDO-080-G |
| 85 mm  | PNTENDO-085-G |
| 90 mm  | PNTENDO-090-G |
| 95 mm  | PNTENDO-095-G |



**Original product must be in like-new condition.** Condition of digits will be assessed upon return, and additional costs may be charged for damaged/used products.

\*\*Custom sizing available on request. If the original Point Digit was a custom size, and the new size is standard, we are unable to offer a refund for the original custom digit. If the original digit is a standard size and the new size is custom, an additional charge will be billed for the custom sizing. Custom sizes will take 4-6 weeks to deliver.