

Point Endo - Product Size Exchange Form

Original PO#

Please include this form with the product(s) to be exchanged and send to:

Point Designs
2100 West 6th Ave, Broomfield, CO 80020

If you are using Point Designs' Clinical Services for Fabrication, please include this form with the product(s) to be exchanged and send to:

Point Designs
596 W 750 S Suite 110, Bountiful, UT 84010

Clinic

Clinic Name

Clinician's Name

Email

Phone

Shipping

Street Address / P.O. Box

City, State

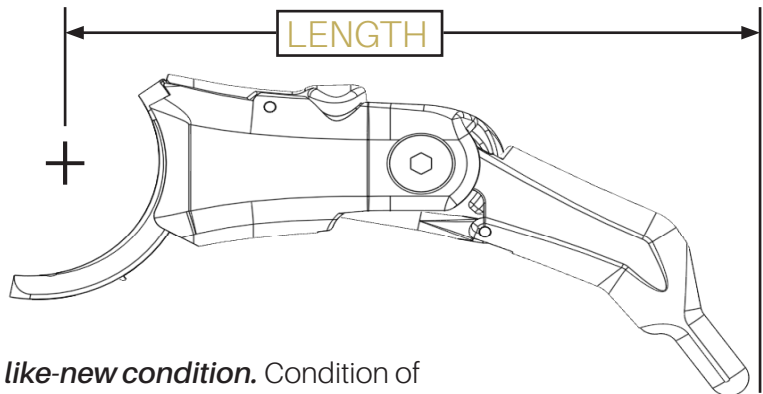
ZIP code

Product Exchange Table

	Product Name	Length included to be exchanged	New Length (see table for standard sizes)
Item #1			
Item #2			
Item #3			
Item #4			

Sizing Table

Length	Part Number
80 mm	PNTENDO-080-G
85 mm	PNTENDO-085-G
90 mm	PNTENDO-090-G
95 mm	PNTENDO-095-G



Original product must be in like-new condition. Condition of digits will be assessed upon return, and additional costs may be charged for damaged/used products.

**Custom sizing available on request. If the original Point Digit was a custom size, and the new size is standard, we are unable to offer a refund for the original custom digit. If the original digit is a standard size and the new size is custom, an additional charge will be billed for the custom sizing. Custom sizes will take 4-6 weeks to deliver.